

# StarPro 5 Star Series

## SP5: High Efficiency Non-Condensing 5 Star Series

The Brivis SP5 non-condensing series comprises of the same physical dimensions and capacity of the current Mid Efficiency range of ducted gas heaters, but has gained a greater efficiency rating.

Without the need for drains or a tertiary heat exchange, Brivis can now not only deliver a 5 star rating without producing condensate, but can now offer a cheaper way to get 5 star efficiency without comprising on quality.

Available in a 21kW capacity, internal, external, natural gas and extra air versions – with more capacities to follow.

## Features

- Brivis' first 5 star non-condensing heater
- Outstanding efficiency
- Smaller than conventional 5 star models
- Cheaper and easier to install
- Lay down kit option
- Additional zoning options (development underway)
- ICE compatible
- Qualifies for VEET subsidy (VIC only)
- Five year warranty



Standard 5 year warranty from 1 March, 2013. Bonus offer when you register your product online, [brivis.com.au](http://brivis.com.au).



## Running Cost Comparison

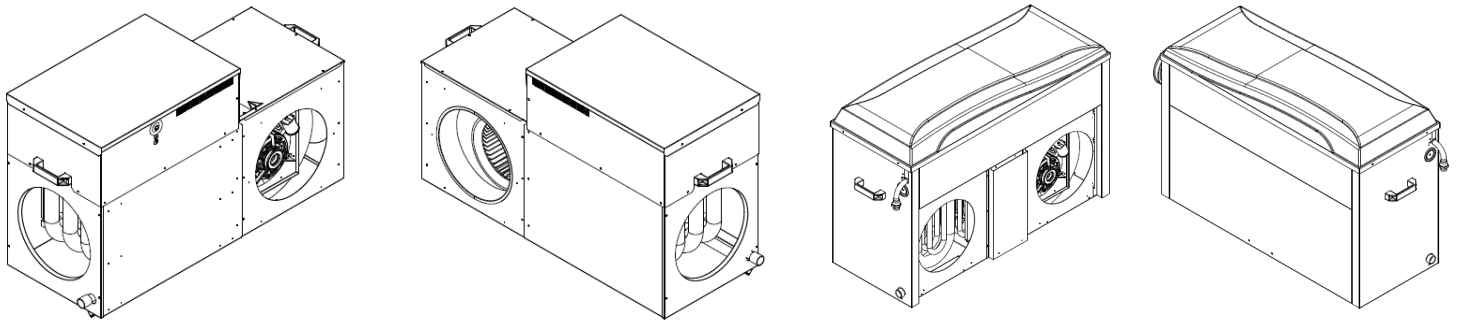
| System                  | Running Cost (PER ANNUM) | Annual Savings |
|-------------------------|--------------------------|----------------|
| Brivis StarPro 5.0 Star | \$870.40                 | \$248.69       |
| Standard 3.0 Star       | \$1,119.09               |                |

Data is based on: Gas price = 1.6c/MJ/HR. House Size – 170m<sup>2</sup> x 2.4m ceiling height. 600 hrs of operation (100 days at 6 hrs per day) – based on AS4556-2011. House Heat load – 0.2 MJ/h/m<sup>3</sup>. Actual figures may vary for individual situations due to variation in factors such as gas price, house size and insulation, heater usage patterns etc.



## Technical Information

| Brivis Ducted Gas Heater - 5 Star         | SP521IN          | SP521IN-XA       | SP521EN          | SP521EN-XA       |
|---|------------------|------------------|------------------|------------------|
| Star Rating                               | 5.0              | 5.0              | 5.0              | 5.0              |
| Capacity (kW)                             | 21.0             | 21.0             | 21.0             | 21.0             |
| Airflow (L/s) @ 50PaEP                    | 785              | 830              | 700              | 740              |
| Dimensions (L x W x H)                    | 1021 x 395 x 634 | 1021 x 395 x 634 | 1046 X 416 X 657 | 1046 X 416 X 657 |
| Net Weight (kg)                           | 53               | 53               | 66               | 66               |
| Max. nominal Brivis Cooling Capacity (kW) | 12               | 15               | 12               | 15               |



## Brivis – Australia's leading climate system

A reputation for innovation, reliability and quality for over 50 years has led to Brivis being recognised as the staple of heating and cooling solutions in Australian homes.

Brivis Ducted Gas Heating is one of the most cost effective ways to heat your entire home. And by introducing Brivis Zoning Technology, this enables you to reduce your energy consumption and receive cost savings by only heating where and when you need it most.

Our design and manufacturing process is accredited to the Australian Standard ISO9001.



### For all sales and service enquiries:

Telephone: 1300 BRIVIS (1300 274 847)

Email: [sales@brivis.com.au](mailto:sales@brivis.com.au)

Web: [brivis.com.au](http://brivis.com.au)

### We're at your service

The Brivis National Customer Care Centre provides first class service and maintenance of your system, ensuring it's running at its highest efficiency - so you can enjoy the Brivis experience for many years to come.

Operating 6 days a week, 7.30am to 6.00pm, Monday to Friday and 9.00am to 1.00pm Saturday.

[brivis.com.au](http://brivis.com.au) | 1300 BRIVIS (274 847)

© GWA Climate Systems April 2013. All rights reserved. AU24752

**brivis**