

AUDAX TOP ERP HYDRONIC HEAT PUMP

MANUFACTURED BY:

 **IMMERGAS**

AUDAX TOP ErP heat pumps allow more advanced solutions in any domestic environment delivering both hydronic heating and cooling as well as domestic hot water. The new range of Immergas heat pumps are air to water heat pumps using inverter technology, ideal for stand-alone systems or combined with additional heat sources and equipment delivering hybrid systems.



HUNT
HEATING

5 YEAR*
WARRANTY



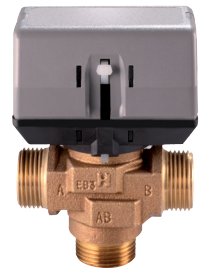
AUDAX TOP ErP

- 3 single-phase versions, 3 three-phase version
- Compatible with DHW storage tank
- Can work in conjunction with additional heat sources
- Equipped with:
 - Electronic thermal expansion valve
 - Modulating fan and compressor
 - Low consumption modulating system pump
 - Gas/Water heat exchanger
 - Expansion vessel
 - Water flow-switch
 - 3 bar safety valve
- Supplied with remote control thermostat (4 wire), Y water filter 1", condensate drain fitting and antivibration supports
- Pre-loaded refrigerant R410A

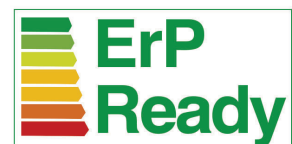
HEAT PUMP THERMOSTAT & CONTROLLER



3 WAY VALVE KIT FOR D.H.W



 **SAI GLOBAL**



SHOWROOM

11 Fiveways Boulevard
Keysborough
VIC 3173

PHONE 1300 00 1800

FAX (+613) 9798 5133

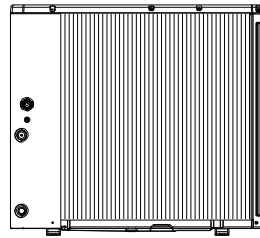
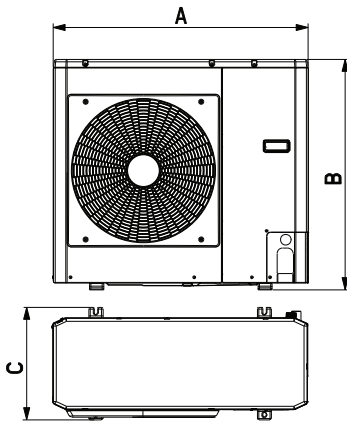
enquiries@huntheat.com.au



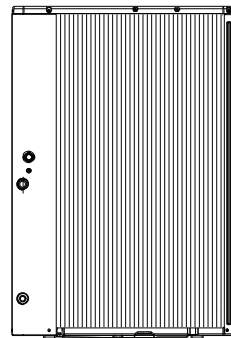
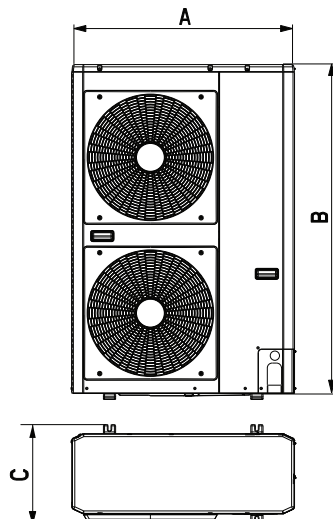
HUNT HEATING
The smart choice.

www.huntheat.com.au

Technical data	Unit of measurement	AUDAX TOP 6 ErP	AUDAX TOP 8 ErP	AUDAX TOP 12 ErP	AUDAX TOP 16 ErP	AUDAX TOP 18 ErP	AUDAX TOP 21 ErP
Code		3.025557	3.025558	3.025560	3.025562	3.025563	3.026940
Heating Output*	kW	5.76	7.16	11.86	15.00	17.14	21.10
Coefficient of Performance (heating)*	CoP	4.28	3.97	3.95	4.20	4.10	4.10
Cooling Output*	kW	7.04	7.84	13.54	16.00	19.83	25.81
Energy Efficiency Ratio (cooling)*	EER	3.70	3.99	3.66	3.81	3.87	3.80
Max. noise level	dB	62	64	67	68	71	74
Outdoor temperature operating range (heating)	°C	-20 / 30	-20 / 30	-20 / 30	-20 / 30	-20 / 30	-20 / 30
Outdoor temperature operating range (cooling)	°C	5 / 46	0 / 46	0 / 46	0 / 46	0 / 46	0 / 46
Power supply		1 Phase	1 Phase	1 Phase	3 Phase	3 Phase	3 Phase
Max. power absorbed	kW	2.0	2.7	3.85	6.5	10.8	12.4
Max. current absorbed	A	11.0	14.5	20.7	11.1	16.7	19.1
Refrigerant Gas		R410A	R410A	R410A	R410A	R410A	R410A
Refrigerant gas volume	kg	1.35	1.81	2.45	3.385	8	8
Max. water delivery temperature	°C	60	60	60	60	60	57
Water content	l	1	1.2	2.5	2.5	1.52	1.9
Expansion vessel volume	l	2	2	3	3	8	8
Hydraulic circuit maximum pressure	kPa	300	300	300	300	300	300
System flow and return connections	inch	1	1	1	1	1	1
Weight	kg	61	69	104	116	191	200



AUDAX TOP 6kW / 8kW	
A	908 mm
B	821 mm
C	400 mm



AUDAX TOP 12kW / 16kW	
A	908 mm
B	1363 mm
C	400 mm

AUDAX TOP 18kW / 21kW	
A	1109 mm
B	1549 mm
C	584 mm



NOTE: Remote control - 4 wire

* Please contact Hunt Heating for more information.

+ Measuring conditions: Heating mode - Water inlet temp 30°C/35°C, outdoor air temp 7°C db/6°C wb. Performance in compliance with EN 14511.

Cooling mode - Water inlet temp 23°C/18°C, outdoor air temp 35°C. Performance in compliance with EN 14511.