

## INTEC EXTERNAL COMBI BOILERS

MANUFACTURED BY:



- Factory fitted external case
- Stainless steel condensing heat exchanger
- 1:5 Modulation Rate
- IPX5D electrical safety
- Built in Frost Protection
- Grundfos 7m Pump Module
- Factory fitted plug and electrical lead
- Solar compatible
- Intelligent Management Interface
- Dedicated "secure" floor heating parameter
- 3 Years Parts & Labour Warranty
- 10 Years Manufacturers Heat exchanger warranty



**HUNT**  
HEATING

**3 YEAR\***  
**WARRANTY**



### MODELS

InTec 30kW Combi

### MEASUREMENTS

990 (H) x 470 (W) x 310 (D) mm

### CAR V2



### EXTERNAL SENSOR



### SHOWROOM

11 Fiveways Boulevard  
Keysborough  
VIC 3173

PHONE 1300 00 1800

FAX (+613) 9798 5133

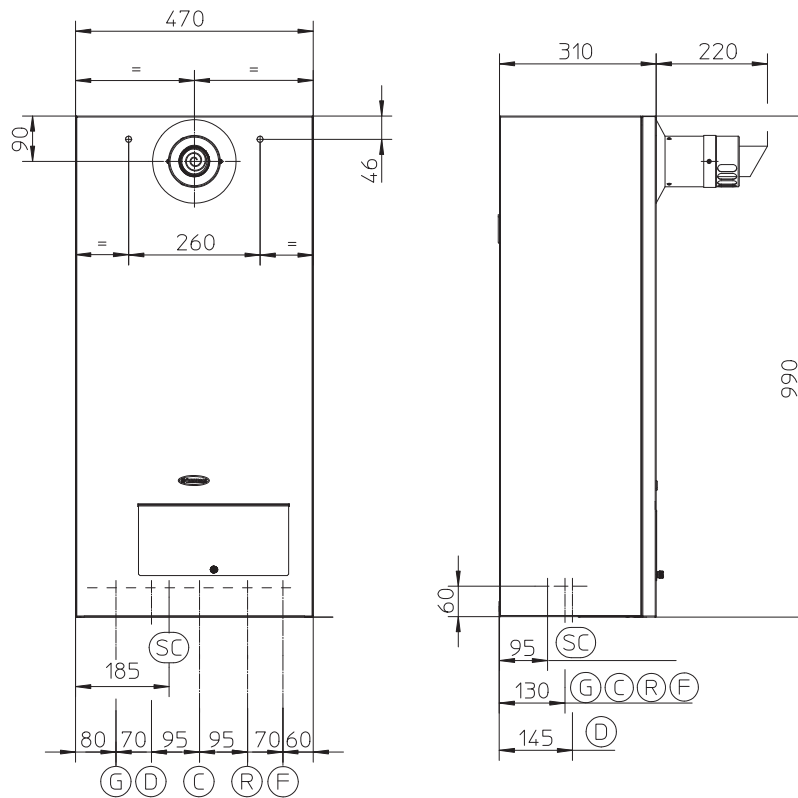
[enquiries@huntheat.com.au](mailto:enquiries@huntheat.com.au)



**HUNT HEATING**  
The smart choice.

[www.huntheat.com.au](http://www.huntheat.com.au)

		Intec 30 Combi
Nominal gas input (NG/LPG)	MJ/h (kW)	121.6 (30.4)
Minimum gas input (NG/LPG)	MJ/h (kW)	23.6 (5.9)
Nominal heat output D.H.W./HEATING	kW	30
Minimum heat output D.H.W./HEATING	kW	5.7
Minimum D.H.W. circuit pressure	bar	0.3
Minimum D.H.W. withdrawl	l	1.5
D.H.W. production in continuous service (DT=30°C)	l/min	14.3
D.H.W. production in continuous service (DT=25°C)	l/min	17.2
Efficiency 80/60 Nom./Min.	%	98.6/96.7
Efficiency 50/30 Nom./Min.	%	108.0/105.9
Efficiency 40/30 Nom./Min.	%	104.0/106.0
Central heating circuit max. operating pressure	kPa	300
Central heating circuit max. operating temperature	°C	90
Adjustable central heating temperature	°C	20-85
System expansion vessel total volume	l	8.0
Expansion vessel factory-set pressure	bar	1
Water content in generator	l	2.30
Available head at 1000 l/h flow rate	kPa (m H <sub>2</sub> O)	26.4 (2.7)
Weight of full boiler	kg	41.1
Weight of empty boiler	kg	38.8
Electrical connection	V/Hz	230/50
Electrical protection index		IPX5D
Standard frost protection	°C	-5



**Key:**

- G - Gas supply
- D - Domestic hot water outlet
- C - Domestic cold water inlet
- R - System return
- F - System delivery
- SC - Condensate drain  
(minimum internal diameter Ø13 mm)

Height (mm)	Width (mm)	Depth (mm)		
990	470	310		
CONNECTIONS				
GAS	DOMESTIC HOT WATER		SYSTEM	
G	D	C	R	F
3/4"	1/2"	1/2"	3/4"	3/4"