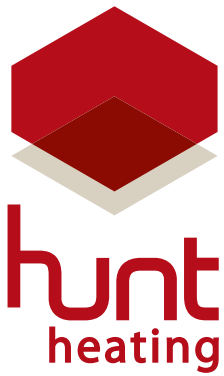




Wall hung  
gas boilers

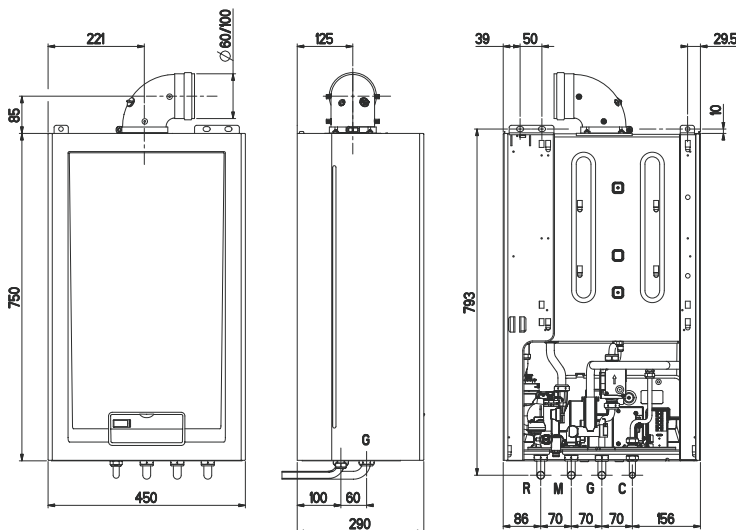
**FORMAT DGT**



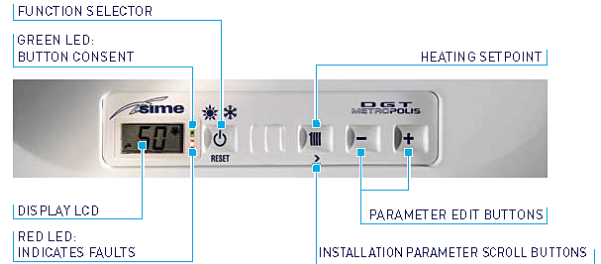
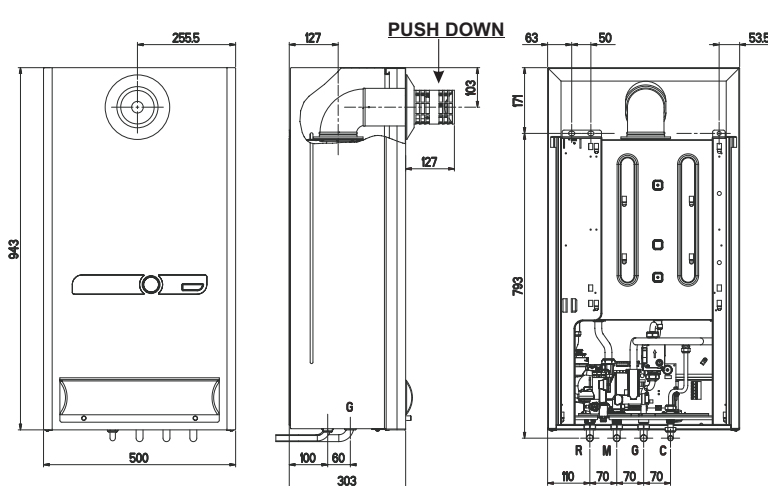
## Technical features - Format DGT

Model		Format DGT
Adjustable heat output Minimum / Maximum	kW	10-30
Input Maximum / Minimum	Mj/h	123 / 45
Temperature setting range	°C	20 - 80
Thermal efficiency @ 80°C / 50°C	%	82.1 / 85.6
Maximum water pressure	bar	3
Expansion vessel capacity	litres	8
Water content	litres	4.7
Electrical supply - 50Hz	-	230-240V
Internal fuse	Line	1.6A
Electrical protection grade	-	IP X5D
Maximum power consumption	W	115
Type of gas used	-	LPG & NG
Co-axial flue diameter	mm	60 / 100
Net weight Internal / External	kg	34 / 43
Connections		
M - C.H. flow, R - C.H. return, G - Gas connection	3/4"	20mm
C - Filling connection	1/2"	15mm

Format DGT 30I Dimensions - Connections



Format DGT 30E Dimensions - Connections



The control panel of the Format DGT combines functionality and technology. Sime uses capacitor technology to create touch buttons. This means there are no mechanical moving parts and the panel is completely waterproof. The boilers have IPX5D protection. The controls are simple, intuitive and extremely user-friendly, while the LCD display and LEDs in various colours provide key information and indicate any faults instantly.

Main features	Format DGT
Electronic flame modulation	yes
Electronic flame ignition & detection	yes
electronic interference filtering system	yes
Built in variable speed pump	yes
Auto air venting	yes
Built in pump bypass valve / pump run on timer	yes
Built in expansion vessel	yes
Interface with touch keys & LCD display	yes
Variable temperature adjustment	yes
Variable (kW) output adjustment	yes
Slab heating temperature adjustment (via parameter selection)	yes
External case construction 1.25mm zincalume powder coated	yes
Natural/LPG gas models available	yes
Full Australian Gas Association Approval	yes
Outdoor compensation	yes
Thermostat connection 24V DC	yes

Safety devices	DGT
Over temperature limit control system	yes
Over pressure relief control system (3 bar)	yes
Automatic low water cut off safety	yes
Anti frost protection	yes
Electronic self check safety control	yes
LED fault display / self diagnosis	yes
Differential fan pressure switch for safe discharge of flue products	yes
Automatic by-pass	yes

We pursue a policy of continuing improvement in design and performance of our products. The right is therefore reserved to vary specifications without notice



**Hydronic Systems (Australia) Pty Ltd**

P O Box 294 Braeside VIC 3195 ABN 50 354 796 935

**showroom** 11 Fiveways Boulevard Keysborough VIC 3173

**phone** 1300 00 1800 **fax** (+613) 9798 5133

**email** enquiries@huntheat.com.au **website** www.huntheat.com.au