

Tubular Hydronic Radiators

Elegant and
stylish

Manufactured by:



10
YEAR
WARRANTY

Contemporary, elegant and stylish tubular radiators can be used as an architectural feature of your home while combining looks and warmth in one superior product.

Manufactured with great attention to appearance - a key feature of the tubular radiators is the perfect smooth lustrous finish without any traces of welding joints, allowing you to make a statement or blend with any interior decor.

**THERMOSTATIC
HEAD**



**2 COLUMN
SECTIONS**



FINISHES

High gloss white

COLOUR

Standard white - RAL 9016

MEASUREMENTS

Available in 2, 3, 4, 5 and 6 columns in various heights. Each section width 46mm
Radiators supplied to order only

Showroom 11 Fiveways Boulevard Keysborough VIC 3173

Phone 1300 00 1800 **Fax** (+613) 9798 5133

Email enquiries@huntheat.com.au **Website** www.huntheat.com.au



Tubular Hydronic Radiators

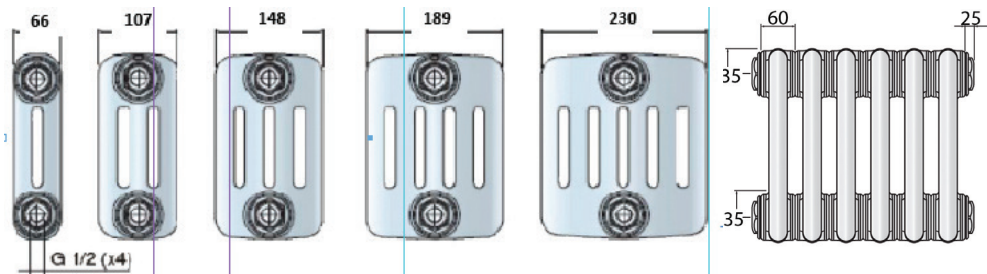
Outputs and Dimensions

Tables based on ΔT 50 - mean water temperature in radiator of 70°C and room temperature of 20°C. ΔT 60 mean water temperature in radiator of 80°C and room temperature of 20°C. Radiator outputs to EN442 Standard.

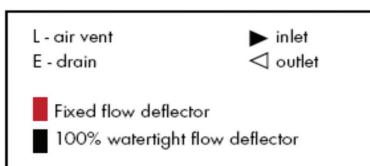
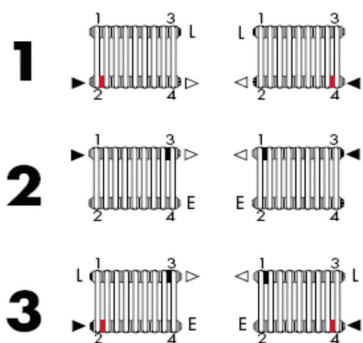
| Height | # Columns | Output Kw ΔT 50 ΔT 60 | Height | # Columns | Output Kw ΔT 50 ΔT 60 | Height | # Columns | Output Kw ΔT 50 ΔT 60 | Height | # Columns | Output Kw ΔT 50 ΔT 60 |
|--------|-----------|---------------------------------------|--------|-----------|---------------------------------------|--------|-----------|---------------------------------------|-------------------------------------|-----------|---------------------------------------|
| 300 | 2 | 0.024 0.030 | 750 | 2 | 0.055 0.069 | 1500 | 2 | 0.106 0.135 | 2500 | 2 | 0.180 0.229 |
| | 3 | 0.033 0.042 | | 3 | 0.074 0.094 | | 3 | 0.144 0.183 | | 3 | 0.246 0.312 |
| | 4 | 0.042 0.053 | | 4 | 0.100 0.126 | | 4 | 0.194 0.247 | | 4 | 0.322 0.409 |
| | 5 | 0.052 0.065 | | 5 | 0.119 0.151 | | 5 | 0.228 0.291 | | 5 | 0.380 0.483 |
| | 6 | 0.062 0.078 | | 6 | 0.144 0.183 | | 6 | 0.276 0.351 | | 6 | 0.452 0.576 |
| 400 | 2 | 0.031 0.039 | 900 | 2 | 0.065 0.082 | 1800 | 2 | 0.128 0.162 | 2800 | 2 | 0.204 0.259 |
| | 3 | 0.042 0.053 | | 3 | 0.088 0.111 | | 3 | 0.174 0.221 | | 3 | 0.279 0.354 |
| | 4 | 0.055 0.070 | | 4 | 0.119 0.150 | | 4 | 0.232 0.295 | | 4 | 0.362 0.458 |
| | 5 | 0.067 0.085 | | 5 | 0.141 0.179 | | 5 | 0.273 0.349 | | 5 | 0.427 0.542 |
| | 6 | 0.081 0.102 | | 6 | 0.171 0.217 | | 6 | 0.329 0.419 | | 6 | 0.506 0.644 |
| 500 | 2 | 0.038 0.048 | 1000 | 2 | 0.072 0.091 | 2000 | 2 | 0.142 0.181 | 3000 | 2 | 0.218 0.277 |
| | 3 | 0.052 0.065 | | 3 | 0.097 0.123 | | 3 | 0.194 0.246 | | 3 | 0.302 0.383 |
| | 4 | 0.068 0.086 | | 4 | 0.131 0.166 | | 4 | 0.258 0.328 | | 4 | 0.388 0.491 |
| | 5 | 0.082 0.104 | | 5 | 0.155 0.197 | | 5 | 0.303 0.387 | | 5 | 0.459 0.583 |
| | 6 | 0.099 0.125 | | 6 | 0.188 0.240 | | 6 | 0.364 0.464 | | 6 | 0.542 0.690 |
| 600 | 2 | 0.045 0.056 | 1200 | 2 | 0.086 0.108 | 2200 | 2 | 0.157 0.200 | *Other heights available on request | | |
| | 3 | 0.061 0.076 | | 3 | 0.116 0.147 | | 3 | 0.214 0.272 | | | |
| | 4 | 0.081 0.102 | | 4 | 0.157 0.198 | | 4 | 0.283 0.360 | | | |
| | 5 | 0.097 0.122 | | 5 | 0.185 0.235 | | 5 | 0.333 0.425 | | | |
| | 6 | 0.117 0.149 | | 6 | 0.224 0.285 | | 6 | 0.399 0.508 | | | |

Each section width 46mm

Installing dimensions De Longhi Steel tubular radiators



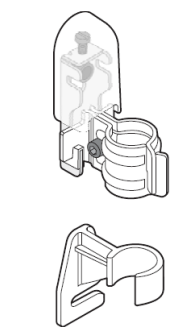
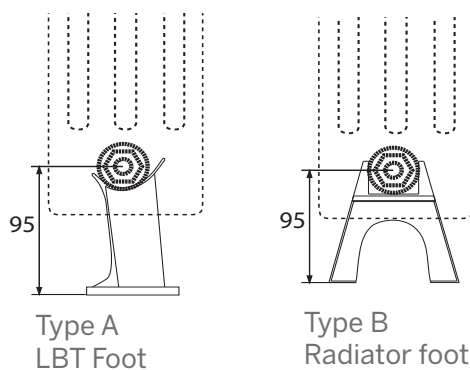
Standard connection



The standard configuration has four 1/2" reductions and one 1/2" pre-mounted blanking plug.

Additional connection possibilities are available on request.

Foot options and centre connection measurements



Wall Bracket

Centre of noggins 70mm from the top of radiators.

Suggested size for noggins; 90mm x 45mm framing timber



Hunt Heating.
The smart choice.

Experts in Domestic and Commercial Hydronic Heating.

* Please note: Any product installed in areas of high humidity (including bathrooms, changing rooms, etc) are limited to a 12 month product only warranty