



Honeywell's CM907 thermostat is ideal for home owners who want energy saving, reliable, precise temperature control from a modern looking and simple to program product.

The CM907 model has a slim modern look ideal for any location in the home, a large backlit LCD display for easier viewing and improved programming with the introduction of an OK confirmation button.

The contact rating 24/240V provides compatibility with most domestic central heating systems.

# CM907 Chronotherm

As smart as it looks – perfect for any home.

**Large Clear Backlit Display -**  
Plain English text makes for hassle free programming.

**Override Buttons -**  
Day Off, Party and Holiday Override modes provide flexibility to fit in with everyone's lifestyle.



**Energy Savings -**  
With 7 day, 6 periods a day programming, the CM907 allows you to set a comfortable temperature when at home and save energy when you are away.

**Easy Access Battery Compartment -**  
Front battery panel allows for easy battery replacement without removing the thermostat from wall.

**Easy to Program -**  
The easy to follow and simple 'OK' confirmation button makes programming a breeze. It simply tells you what is going on.

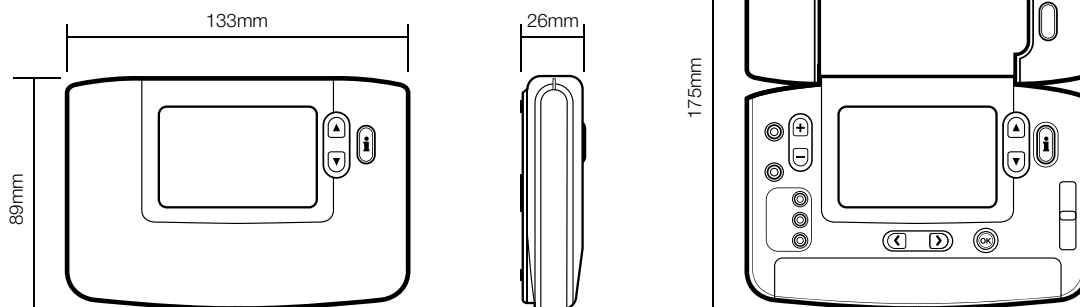
## CM907 7-Day Programmable Thermostat

Part Number	Stages	Equipment
CMT907A1041	1H or 1C 220 Vac 2/4 Pipe Fan Coil	Electric Heating, Combi Boilers, Gas Fired Boilers, Zone Valves and Cooling Only Air Conditioning.

## Accessories

Part Number	Description
CM90-RS5	Floor Sensor - 5 metres
F42010971-001	Outdoor Sensor
F42010972-001	Remote Indoor Sensor

## Dimensions



## Learn More

Website: <http://customer-ap.honeywell.com>

Email: [eccproducts@honeywell.com](mailto:eccproducts@honeywell.com)

## Automation and Control Solutions

ECC products

2 Richardson Place North Ryde NSW 2113 Australia

Tel: 02 9353 7400 Fax: 1300 360 470

264 Mt Eden Road Auckland 1024 New Zealand

Tel: 0800 202 088 Fax: 0800 202 086

**Honeywell**

Distributed by: