

# StarPro 4 Star Series

## SP4: Mid Efficiency Universal Compact 4 Star Series

The new and improved Brivis SP4 series replaces Brivis' current CMX21 ducted gas heater.

Ideal for upgrading your old heater with a higher efficient system, the 4 star range is an ideal all-rounder that's affordable, impressive and compact.

Available in 21kW and 30kW capacity, the SP421UN boasts the highest efficiency rating of any 4 star heater at an impressive 4.8 stars - with compact design, universal (indoor/outdoor) and natural gas.

## Features

- Efficient
- Value for money
- Lay down kit option
- Universal indoor/outdoor unit
- Additional zoning options (development underway)
- Economical to run
- Compact universal application
- ICE compatible
- Five year warranty



Standard 5 year warranty from 1 March, 2013. Bonus offer when you register your product online, [brivis.com.au](http://brivis.com.au).



## Running Cost Comparison

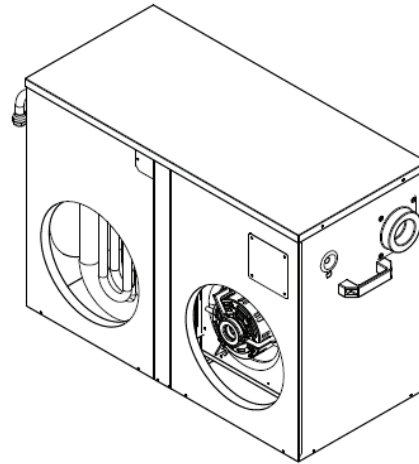
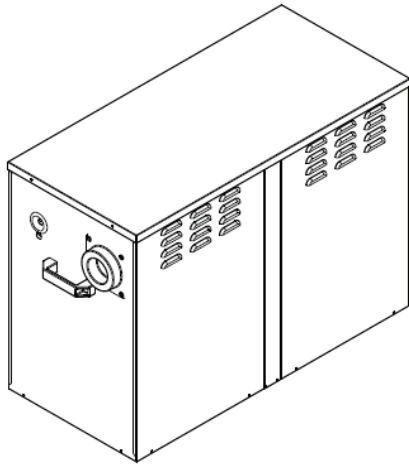
System	Running Cost (PER ANNUM)	Annual Savings
Brivis StarPro 4.8 Star	\$890.18	\$228.90
Standard 3.0 Star	\$1,119.09	

Data is based on: Gas price = 1.6c/MJ/HR. House Size - 170m<sup>2</sup> x 2.4m ceiling height. 600 hrs of operation (100 days at 6 hrs per day) - based on AS4556-2011. House Heat load - 0.2 MJ/h/m<sup>3</sup>. Actual figures may vary for individual situations due to variation in factors such as gas price, house size and insulation, heater usage patterns etc.



## Technical Information

Brivis Ducted Gas Heater - 4 Star	SP421UN	SP430UN
Star Rating	4.8	4.2
Capacity (kW)	21.0	30.0
Airflow (L/s) @ 50PaEP	621	830
Dimensions (L x W x H)	843 X 416 X 624	925 x 640 x 540
Net Weight (kg)	65	84
Max. nominal Brivis Cooling Capacity (kW)	10	15



## Brivis – Australia's leading climate system

A reputation for innovation, reliability and quality for over 50 years has led to Brivis being recognised as the staple of heating and cooling solutions in Australian homes.

Brivis Ducted Gas Heating is one of the most cost effective ways to heat your entire home. And by introducing Brivis Zoning Technology, this enables you to reduce your energy consumption and receive cost savings by only heating where and when you need it most.

Our design and manufacturing process is accredited to the Australian Standard ISO9001.



### For all sales and service enquiries:

Telephone: 1300 BRIVIS (1300 274 847)

Email: [sales@brivis.com.au](mailto:sales@brivis.com.au)

Web: [brivis.com.au](http://brivis.com.au)

### We're at your service

The Brivis National Customer Care Centre provides first class service and maintenance of your system, ensuring it's running at its highest efficiency - so you can enjoy the Brivis experience for many years to come.

Operating 6 days a week, 7.30am to 6.00pm, Monday to Friday and 9.00am to 1.00pm Saturday.

[brivis.com.au](http://brivis.com.au) | 1300 BRIVIS (274 847)

© GWA Climate Systems April 2013. All rights reserved. AU24752

**brivis**